

Model type:  
**ARWDF129NA**

Commercial code:  
**63065**

## General notes

### Technical Documentation guidelines

---

---

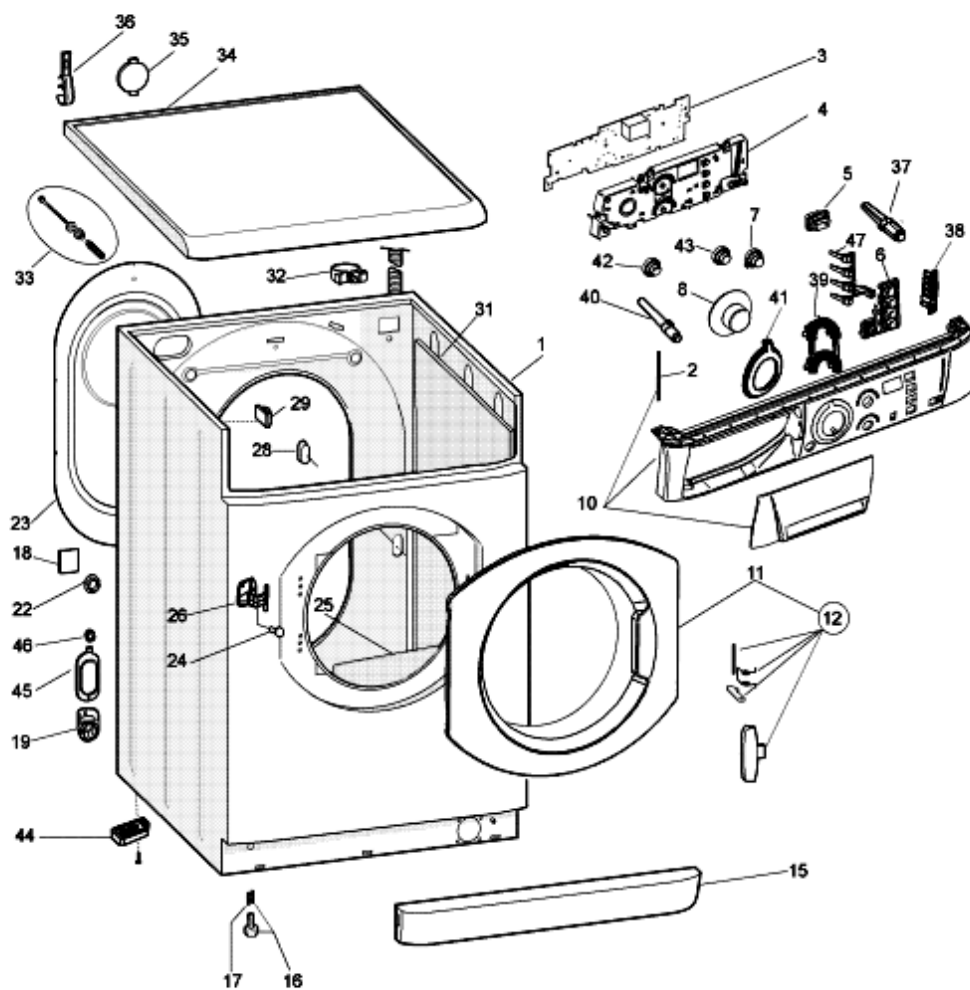
You can find herewith some generic information to simplify consulting of technical documentation:

1. Models of same range share the same exploded views, which report the richest set of spare parts: generally, a model does not necessarily have a related spare part for each particular shown on exploded views.
2. Some spare parts can not be represented directly on the exploded views (instruction booklets, specific kit, etc...). You can find those codes in the spare parts list with the same reference of particular where spares are installed or with references 099, 999. Instruction booklets, once managed, appear with 000 reference.
3. On the higher right site of each exploded view there is a serial number which indicates the beginning of the production of certain range: some models might have more than an exploded view for a given category, each distinguished by a different serial no. and linked to another spare parts list, In this case, serial no. is required to supply the right spare part code. Exploded view to be considered is the one with a more recent serial no. but previous than the one of the model that needs assistance.
4. Exploded views might require further updates even after publishing. Addition of new spares will go on following the already existing numeration references. Revision number of an exploded view is shown into last four digits of serial number into upper right hand corner.
5. The spare parts list associated to an exploded view shows related codes of spares managed for a certain model; for each spare part other informations are available:  
  
REF: reference no of spare into a table; SUBSTITUTE: list of spare(s) which can replace a code but that keeps same functional characteristics  
  
INDUSTRIAL CODE: list of variables of a model (shown into model label) where such spare is used; NOTICE: code of information(s) to refer to complete technical intervention, track for changes or to find correct spare part code.
6. Some notices, into a same section are generic therefore cannot be directly linked to a spare part. In order to assist a model in the best way as possible, it is helpful to pay attention to all notices and constantly verify documentation updates
7. Technical documentation cover shows model name and its commercial codes

1140140C

Exploded views

Matr. 71015.0001  
DIGIT



1140140C

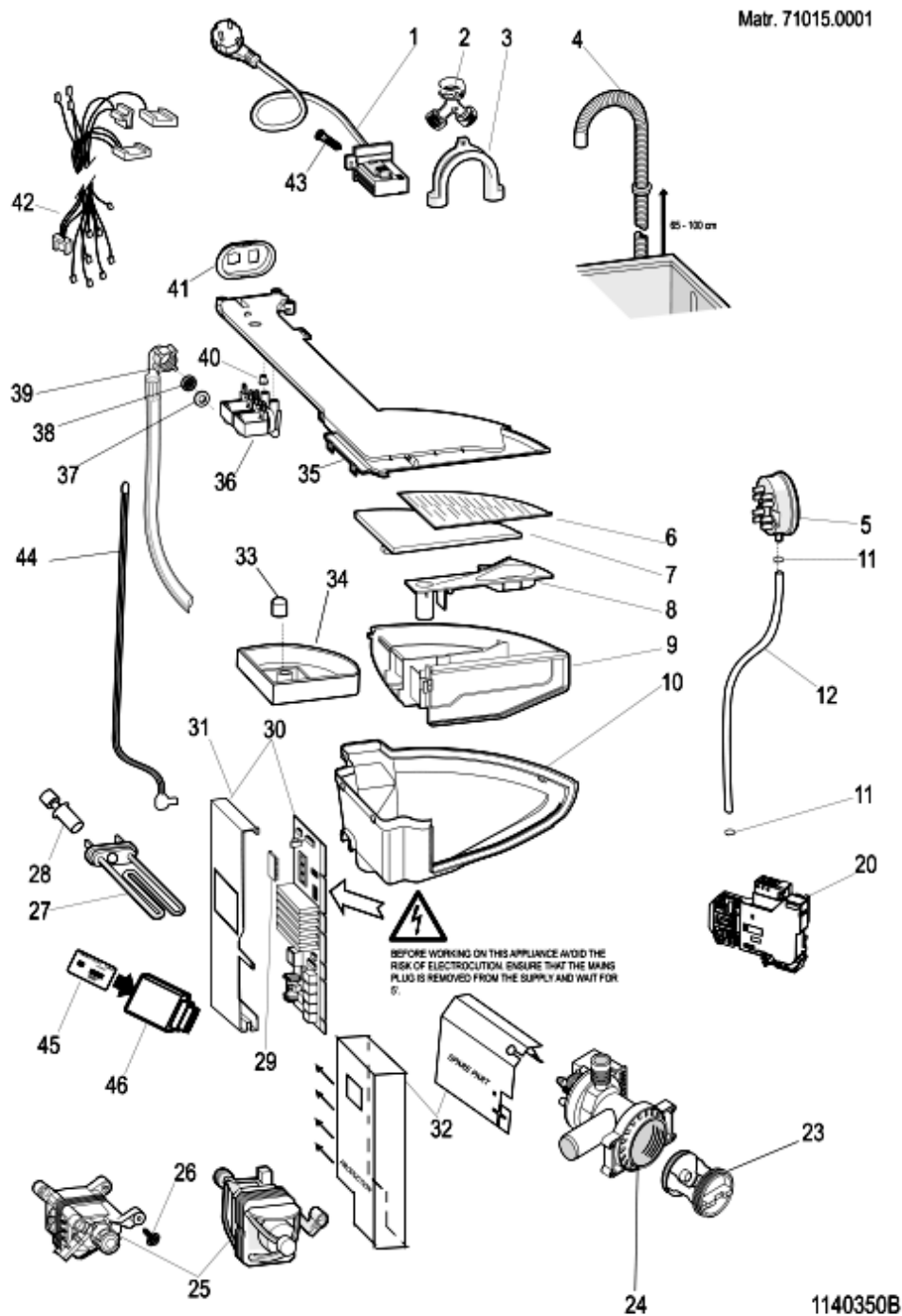
1140140C

Spare parts list

Ref.	Code	From	To S/N	Substitute	Description	Notice	Industrial
001	C00116539				cabinet white standard pw evoui		
002	C00091882				pivot pin drawer front 106.5x5		
003	C00262638			1 x C00277184	control digit arsf		
004	C00266911				support display module		
005	C00276618				pushbutton white pw start/pause		
006	C00277523				option button (5)		
007	C00277521				temperature pushbutton white pw		
008	C00277522				wash timer knob white pw arwdf		
010	C00277524				control panel & handle pw		
011	C00277532				door frame+glass ariston pw wd		
012	C00276593				door handle kit - white pw ariston		
015	C00270809				plinth white pw na		
016	C00087084				foot		
017	C00083828				foot spring (11x8.5mm)		
019	C00064755				drain hose collar		
022	C00065871				blanking plug		
023	C00116851			1 x C00116923	rear cover - white pw		
024	C00256725				screw testfer m4 x 16 mm		
026	C00254619				hinge		
028	C00065185				bolt m4,5 x 8		
028	C00143911				blanking plate-rear(test plug) ul		
029	C00141387				cable clamp hose		
033	C00145769				transit bolt		
034	C00270807				top pw + plate ariston na		
036	C00046667				wiring stop		
036	C00064550				drain hose holder		
037	C00255691				start lens		
038	C00255147				light guide status		
039	C00255695				lens (temp./ spin)		
040	C00255704				on/off neon lens		
041	C00255689				programme knob lens		
042	C00277520				pushbutton white pw on/off arsf		
043	C00277519				spin speed pushbutton white pw		
047	C00264223				light guide status digit ar/hp		
099	C00012687				self-tapping screw hi-lo 3,5x13		

1140350B

Exploded views



1140350B

Spare parts list

Ref.	Code	From	To S/N	Substitute	Description	Notice	Industrial
001	C00276595				supply cable usa		
003	C00019902				plastic -u- to make drain hose		
004	C00091775				drain hose to sink		
005	C00257922		10205...	1 x C00284971	pressure switch 1 l. 85-60 ul		
008	C00046154				additive cover		
009	C00046148			1 x C00281253	soap dispenser drawer (rotary)		
010	C00276598				dispenser body usa ul		
011	C00092412				hose clamp		
012	C00144077				pipe pressostat l= 540mm. evo ii		
020	C00065185				bolt m4,5 x 8		
020	C00257924				thermal lock ul		
023	C00045023				filter handle		
023	C00045025				filter seal		
023	C00045027				pump filter kit		
024	C00112504				self cleaning pump 120v 60hz		
025	C00257889				motor three phase (stator 40) vpl		
026	C00094744				screw locking motor/tub		
027	C00112437				hole for heating element		
028	C00083915				thermistor ntc		
030	C00254529				module three phase + eeprom		
031	C00115069				support cover 3 f		
031	C00115070				bracket for module 3 f		
032	C00293617				protecting module (mylar) america		
033	C00046157				stopper detergent container		
034	C00046152			1 x C00287239	additive container		
035	C00276599				hopper cover 2e 3u r 2.5 wm usa		
036	C00110452				electrovalve 1way 5,5lt hot rst2.5		
036	C00116117				3-way electrovalve 1e-3u 7 l		
037	C00005572				sealing washer-mains inlet hose		
038	C00005781				inlet hose filter		
039	C00112930				inlet hose with usa		
040	C00064534				seal - dispenser to valve		
041	C00257907				electrovalve support 2 ev usa		
043	C00092348				self-scraping screw 3,5x8		
044	C00256761				emergency door release strap		

1140350B

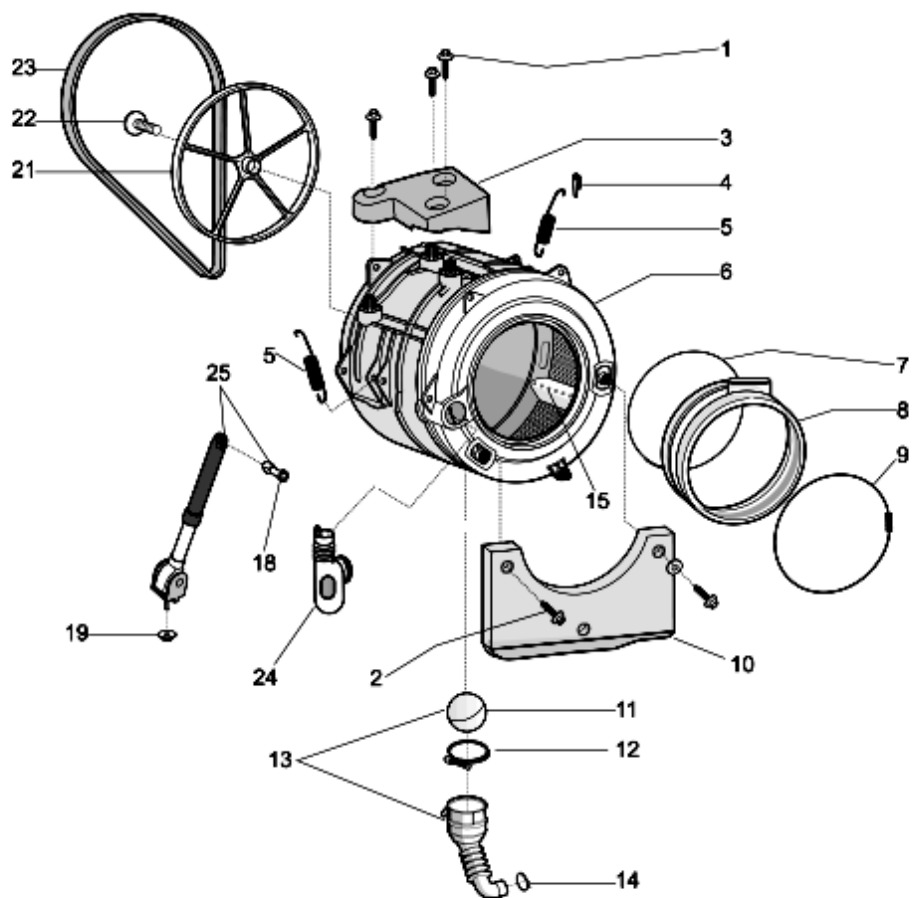
Spare parts list

Ref.	Code	From	To S/N	Substitute	Description	Notice	Industrial
045	C00277534				card arwdf129na 8kb sw		
046	C00272306				smart reader for card 8kb 32kb +		
099	C00257890				supressor filter ul		

1180270B

Exploded views

Matr. 70803.0001



1180270B



1180270B

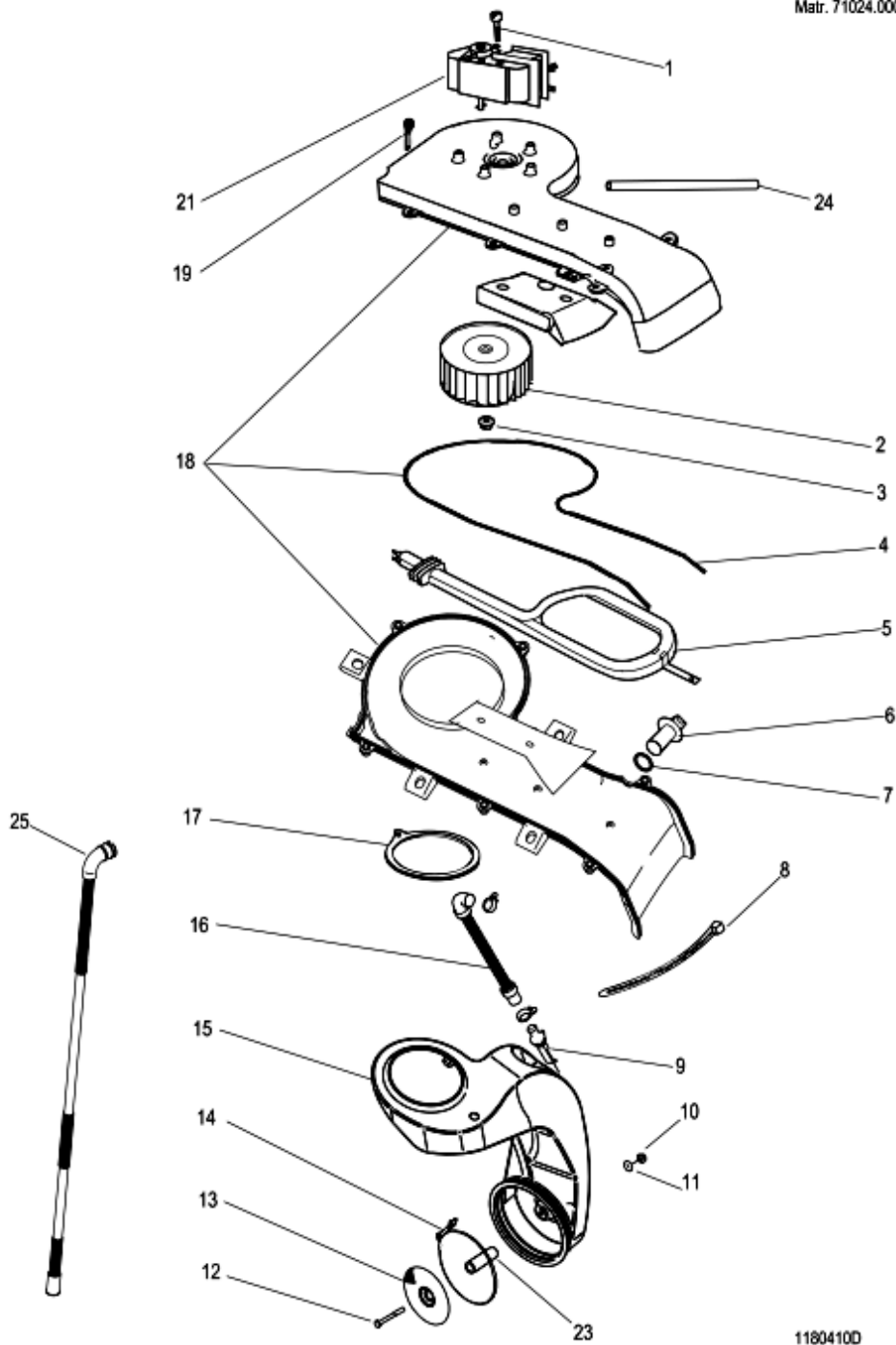
Spare parts list

Ref.	Code	From	To S/N	Substitute	Description	Notice	Industrial
001	C00194612				screw larger diameter 11.3x50 kit	n4011c00	
002	C00194611				screw.pl28 9.5x50 tmtfr t40	n4011c00	
003	C00255400				upper counterweight vpl 9 kg wdl		
004	C00141682				anchorage pad - suspension		
005	C00145754				suspension spring - tank		
006	C00259977				tank plastic pl 52l wd usa		
007	C00092155				door seal- rear retainer		
008	C00259981				door bellows seal wd vpl		
009	C00092156				door seal retainer front		
010	C00145205				front counterweight 11,4 kg		
011	C00092172				ball oko evo ii		
012	C00094908				hose clamp		
013	C00274662				outlet hose		
014	C00092411			1 x C00094908	hose clamp		
015	C00064789			1 x C00268109	lifter - extractable		
018	C00280757				plastic expansion peg new		
019	C00271652				nut romob m6x20x1,5		
021	C00199343				drum pulley d=280 mm h=20 mm		
022	C00051739			1 x C00064786 1 x C00143260	m8 x 20 tefl. 10.9 screw		
023	C00119126				belt 1201 - 1198 j6		
024	C00255405				hose dispenser to tank vp-wd		
025	C00140744				shock absorber 100 n kit		

1180410D

Exploded views

Matr. 71024.0001



1180410D

1180410D

Spare parts

list

Ref.	Code	From	To S/N	Substitute	Description	Notice	Industrial
001	C00257959				screw amsp m3.5x35 t.e.		
002	C00255435				blower fan for motor wd vpl		
003	C00032972				blower fixing nut		
004	C00255437				blower manifold seal vpl		
005	C00257859				dryer heating element 120v		
006	C00290251				thermistor ntc epcos wd		
007	C00255434				o-ring d= 8.75 wd vpl		
008	C00255718				hose clamp		
009	C00032845				restrictor seat		
010	C00080960		00221...		self blocking nut m5	n4211c00	
011	C00097378		00221...		connection gasket	n4211c00	
012	C00259997		00221...		bolt m5x55 te inox430 x wd vpl	n4211c00	
013	C00143949		00221...		lint filter	n4211c00	
013	C00280633	00222...			steam filter new	n4211c00	
014	C00080774				hose clamp		
015	C00255440	00222...			steam condenser vpl	n4211c00	
015	C00280826		00221...		steam condenser vpl	n4211c00	
016	C00080769				hose electrovalve condenser		
017	C00255433		01211...		seal - condenser / tank vpl		
017	C00284582	01212...			seal - condenser / tank vpl		
018	C00268332			4 x C00289755 1 x C00289760 1 x C00289764 1 x C00290385 1 x C00290386	blower manifold kit vpl 52 lt		
018	C00286406				screw plast 9.5x25 tc-t30		
019	C00054790				screw trilob m5 x 16 tcb t.e. st		
021	C00110434				dryer fan motor 115v.60hz		
023	C00255439		00221...		spacer condenser	n4211c00	
099	C00115565				screw m8x30 t30		

## Notices

### n4211c00: INTRODUCED NEW LINTER FILTER

---

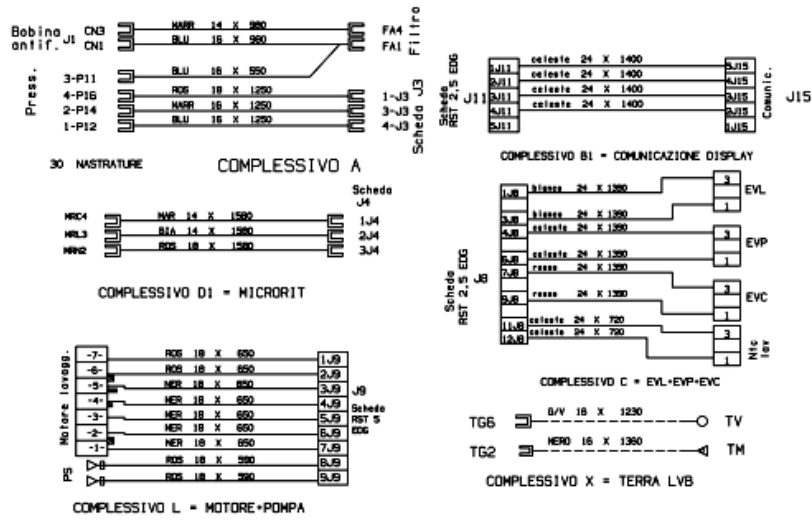
When the pre-modification items are no longer available, all new parts will have to be ordered and replaced.

When replacing the original “Steam Condenser”

It may also be necessary to fit a new “Restrictor Seat” if the original cannot be re-used.

### Electric schemes and links

Cod. 16002090200



16002090200

## Legend

Legend: 16002090200